

Photon A10 User Manual

Sky-end

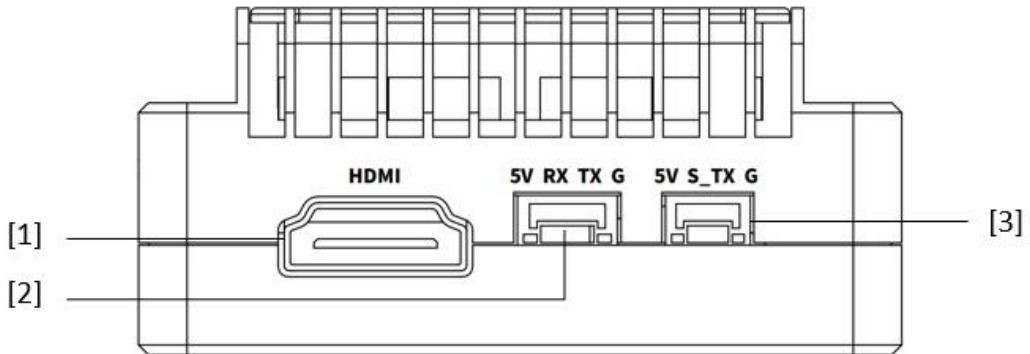


Image 1 Sky-end Frontal Diagram

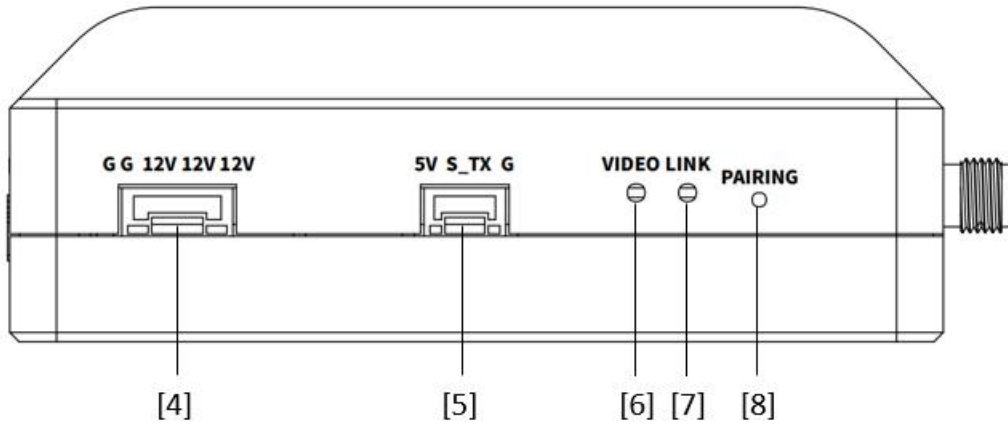


Image 2 Sky-end Right Side Diagram

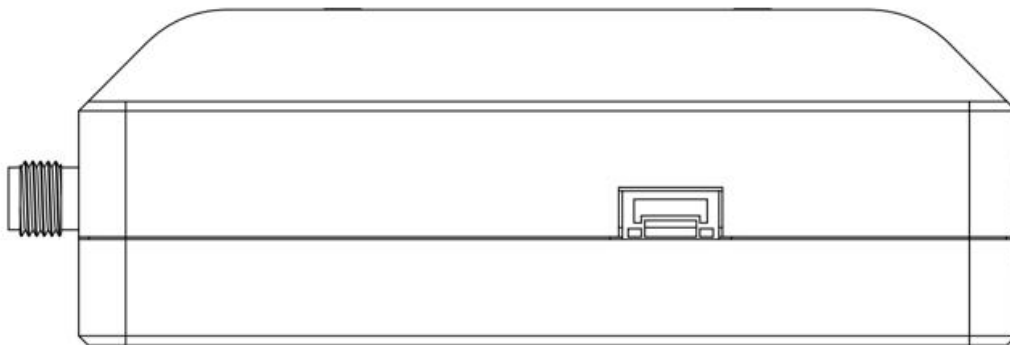


Image 3 Sky-end Left Side Diagram

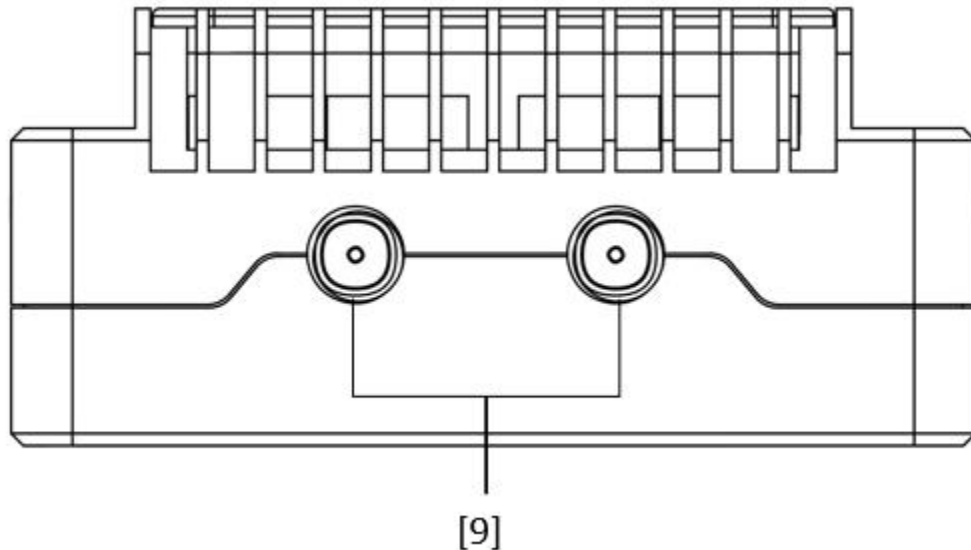


Image 4 Sky-end Back Side Diagram

1. HDMI Input

Use HDMI wire to connect this port to the HDMI output port of camera/Max. 1080P60 video input.

2. Serial Port

- 1) 5V: Power Output;
- 2) RX: Serial Port Input (TTL electrical level, Default 115200 bps, optional 9600 bps, 57600 bps);
- 3) TX: Serial Port Output (TTL electrical level, Default 115200 bps, optional 9600 bps, 57600 bps);
- 4) G: Ground Electrode

3. S-Bus1

- 1) 5V: Power Output;
- 2) TX: S-Bus output(connect flight control SBUS connector or gimbal SBUS connector) ;
- 3) G: Ground Electrode

4. Power Input

- 1) 12V: Power Input (4.5v-16v) ;
- 2) G: Ground Electrode

5. S-Bus2

- 1) 5V: Power Output;
- 2) TX: S-Bus output (connect flight control SBUS connector or gimbal SBUS connector) ;
- 3) G: Ground Electrode

6. Video Indicator Light

Image transmission link indicator light to signal video input status.

Indicator Light	Status
Constant Green Light	Detection of HDMI signal and normal function
Shining Green Light	Detection of HDMI Signal but incapability to send.
Light	Reconnect sky-end power or check if it is correctly wired.
Constant Red Light	No detection of video source input or incompatible video source input. Check if the camera is correctly connected to wire or check the camera output settings.

7. CTRL Indicator Light

Image transmission link indicator light to signal the connection status between sky-end and ground-end

Indicator Light	Status
Shining Red Light	LINK pressed down and sky-end is successfully paired to ground-end.
Shining Green Light	Detection of HDMI signal but incapable to send. It needs frequency calibration.
Constant Green Light	Sky-end and ground-end connected successfully.
Constant Red Light	No detection of signal. Turn on the ground-end power switch or check if the sky-end is correctly connected.

8. PAIRING button

The frequency matching between the sky-end and the ground-end can be achieved through the pairing button.

9. SMA connector

The connector of the antennas, be used for connecting the sky-end video transmitter.