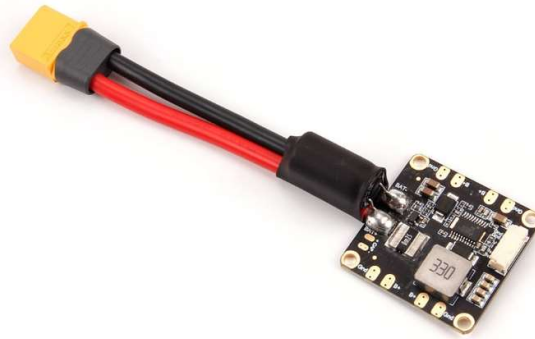


#15019

# PM06 V2-14S Power Module



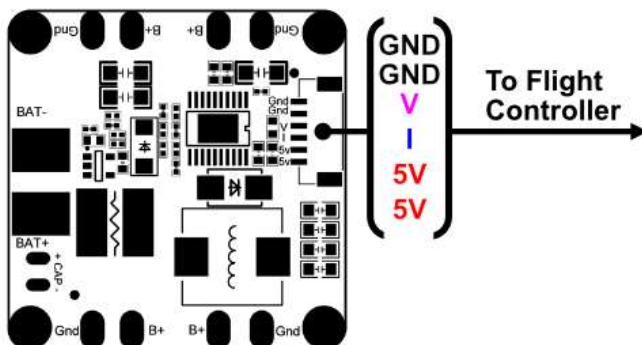
### Technical Specification:

- Input voltage: 2S-14S
- Power Module rated current: 60A
- Power Module max current: 120A (<60 sec)
- UBEC output: DC 5.1V~5.3V
- UBEC output current: 3A Max (Note: To ensure proper heat dissipation, UBEC output current needs to be limited to <2A when using 14S battery.)
- Voltage Divider: 18.182
- Amperes per Volt: 36.364

### Mechanical Specification:

- Dimensions: 35x35x5mm
- Mounting hole: 30.5mm\*30.5mm
- Weight: 24g

### Pin Map:



### **PX4 QGroundControl Setup**

- Connector the Power Module to battery and connect the flight controller to your ground station via USB.
- Open QGroundControl go *Vehicle Setup* and *Power* tab and Input the Number of Cells.
- Ensure the Voltage Divider & Amps per Volt is correct.

For more information, refer to the [PX4 Guide](#).

### **Ardupilot Mission Planner Setup**

- Connector the Power Module to battery and connect the flight controller to your ground station via USB.
- Open Mission Planner, go to *Setup* page and *Battery Monitor* tab and select the following:
  - Monitor – “Analog Voltage and Current”
  - Sensor – “9: Holybro Pixhawk 4 PM”
- For Pixhawk 4, Pixhawk 4 Mini, Pix32v5, Pix32
  - HW Ver – “0: CUAV V5/Pixhawk 4 or API “Alternatively, input the following in the parameter list
  - BATT\_VOLT\_PIN: 0
  - BATT\_CURR\_PIN: 1
- For Durandal
  - HW Ver – “9: Durandal/ZealotH743”Alternatively, input the following in the parameter list
  - BATT\_VOLT\_PIN: 16
  - BATT\_CURR\_PIN: 17
- For Pixhawk 5X
  - You will need to use a digital power module like the that end with a “D” such as the PM02D.

For more information regarding setting up Power Module with Mission Planner. Please refer to the [Ardupilot Wiki Page](#).

### **Current Rating**

The XT60 plug and 12AWG wire that PM06 comes with are rated for 30A continuous current and 60A instantaneous current (<1 minute). If a higher current is being used, the plug type and wire size should be changed accordingly. The specifications and models are as follows:

Plug Specification	Wire Size	Rated current: (4 hours, temperature rise <60 Deg C)	Burst Current: (1 minute, temperature rise <60 Deg C)
XT60	12 AWG	30A	60A
XT90	10 AWG	45A	90A
XT120	8 AWG	60A	120A

**Package Include :**

- 1x Power Module
- 1x 80mm XT60 connector wire (pre-soldered)
- 1x Electrolytic capacitor: 220uF 63V (pre-soldered)
- 1x JST GH 6pin cable