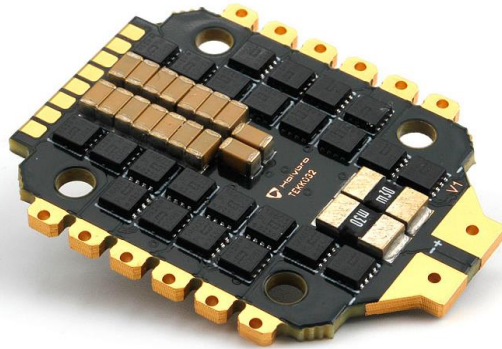


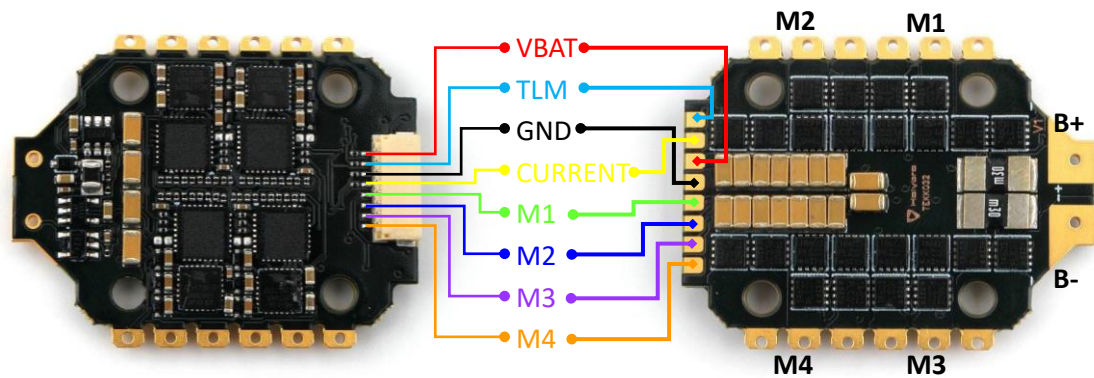
**#31098**

## Tekko32 F4 4in1 mini 45A ESC



### SPEC:

- F4 MCU with BLHELI32 firmware
- Maximum PWM output upto 96K (default 48K)
- Amperage meter scale ratio has been adjusted to 168.
- PWM input, TLM supported
- Voltage output (VBAT)
- NO output BEC
- Supports oneshot / Multishot / Dshot PWM
- Supports damped light
- Supports 3-6S lipo input
- Ext. cap needed for 6s (1000uf 35v for 6s usage.)
- Mounting holes: 20x20mm(M3)
- Size:30 x 39 mm
- Weight: 7.2g

**PIN MAP:****Package included:**

Tekko32 F4 4in1 mini 45A ESC \*1

M2 Anti-Vibration Silicone Grommet Insert \*4

Electrolytic capacitor: 1000uF 35v \*1

8pin to 8pin 1mm pitch 65mm cable \*1

8pin to 8pin 1mm pitch 25mm cable \*1

**Some Tips:**

- [BLHeli\\_32 ESC Firmware Overview](#)
- [GitHub](#)

Holybro is a registered trademark of Holybro, registered in the U.S. and other countries.

©Copyright 2018 Holybro. All Rights Reserved.