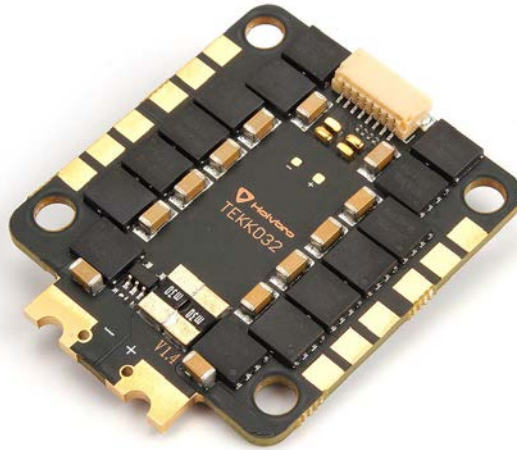


#31093

Tekko32 F4 4in1 ESC(45A)



Features:

- F4 MCU, double the speed of F051
- 32bit ESC with BLHELI32 firmware
- PWM output 128K (default 96K)
- Supports 3-6S lipo input
- PWM input, TLM supported
- Voltage output (VBAT)
- No output BEC
- Supports oneshot / Multishot / Dshot PWM
- Supports damped light
- Extra capacitor needed for high current or 6s usage
- Dimensions: 44x37x6mm
- Mounting holes 30.5x30.5mm(M4)
- Weight: 13.3g

Note: Please update your BLHeliSuite32_32805 into the latest version.

Package includes:

Tekko32 F4 4in1 45A ESC *1

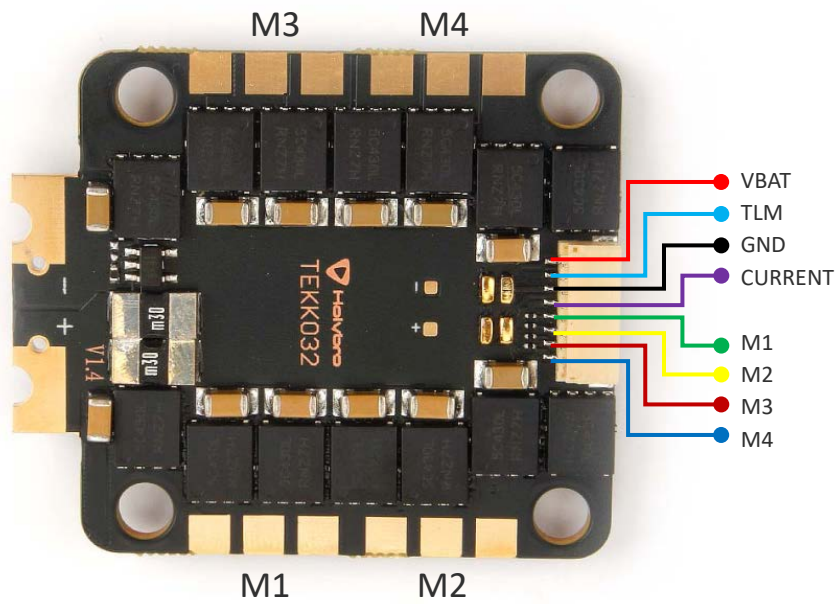
M3 Anti-Vibration Silicone Grommet Insert *4

Electrolytic capacitor: 1000uF 35v *1

8pin to 8pin 1mm pitch 65mm cable *1

8pin to 8pin 1mm pitch 25mm cable *1

Pin MAP:



Some Tips:

- [BLHeli_32 ESC Firmware Overview](#)
- [GitHub](#)

Holybro is a registered trademark of Holybro, registered in the U.S. and other countries.
©Copyright 2018 Holybro. All Rights Reserved.