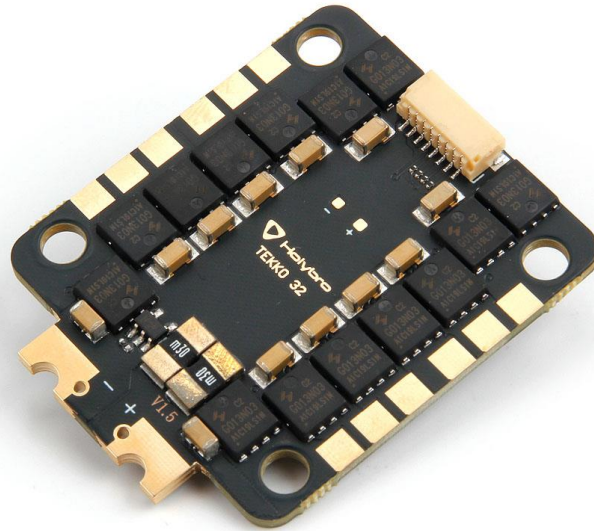


#31102

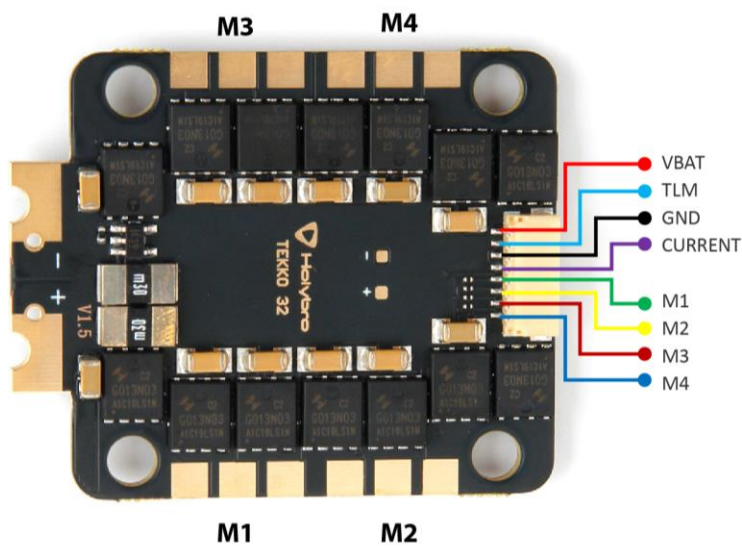
## Tekko32 F4 4in1 50A ESC



### Features:

- F4 MCU, double the speed of F051
- 32bit ESC with BLHELI32 firmware
- Maximum PWM output upto 96K (default 48K)
- Amperage meter scale ratio has been adjusted to 168
- Supports 3-6S lipo input
- PWM input, TLM supported
- Voltage output (VBAT)
- No output BEC
- Supports oneshot / Multishot / Dshot / PWM
- Supports damped light
- Extra capacitor needed for high current or 6s usage
- Dimensions: 45x37x6mm
- Mounting holes 30.5x30.5mm(M4)
- Weight: 13.8g

Pin MAP:



#### Package includes:

- Tekko32 F4 4in1 50A ESC \*1
- M3 Anti-Vibration Silicone Grommet Insert \*4
- Electrolytic capacitor: 1000uF 35v \*1
- 8pin to 8pin 1mm pitch 65mm cable \*1
- 8pin to 8pin 1mm pitch 25mm cable \*1

#### Some Tips:

- [BLHeli\\_32 ESC Firmware Overview](#)
- [GitHub](#)

Holybro is a registered trademark of Holybro, registered in the U.S. and other countries.  
©Copyright 2018 Holybro. All Rights Reserved.