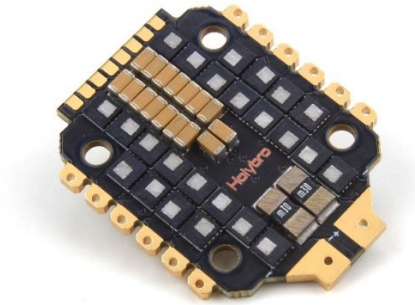


#31020

Tekko32 F3 4in1 45A mini ESC



BLHELI32 / F3 MCU/4x 45A

The New BLHELI32 ESC adapted the F3 MCU, which will provide a smoother control and faster response speed. 4x 45A F3 BLHELI32 ESC in 20x20 standard .

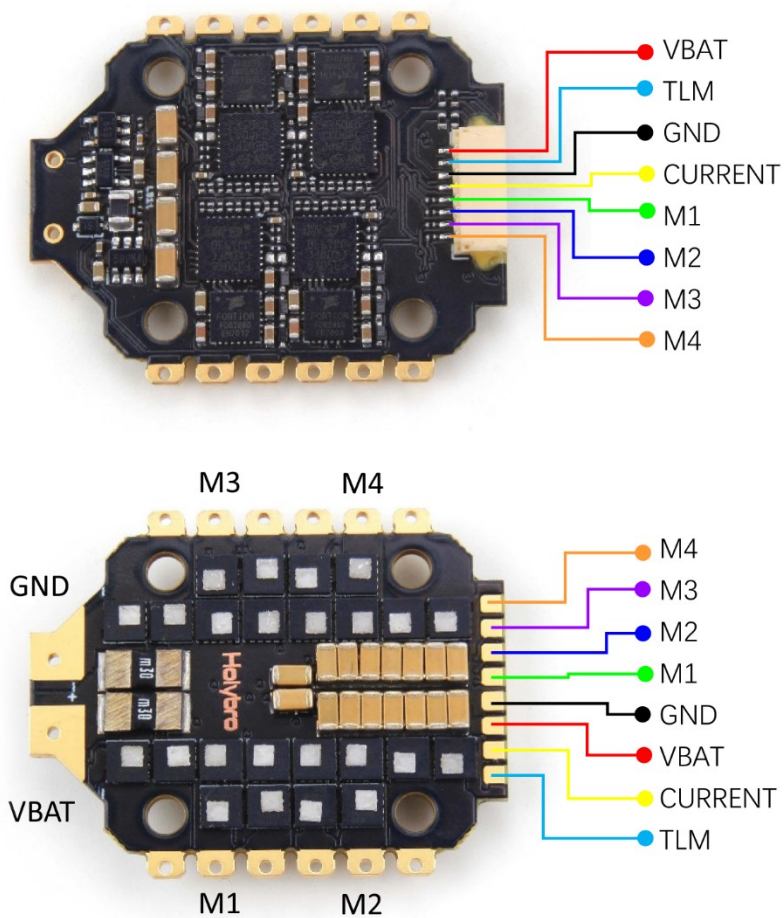
The latest Tekko32 F3 4in1 mini ESC has got some improvements on its performance :

- 1) Enhanced BEC, withstand voltage up to 80V.
- 2) The first blheli32 ESC in the market with default PWM output 96K giving you smoother and quieter experience.
- 3) The mounting hole has been changed into m3 with anti-vibration silicone grommet Insert.
- 4) Additional soldering pad(s) available. (see pin map below)
- 5) Amperage meter scale ratio has been adjusted to 185.

SPEC:

- F3 MCU, runs double faster than F051
- 32bit ESC with BLHELI32 firmware
- Supports 3-6S lipo input
- PWM input, TLM supported
- Voltage output (VBAT)
- NO BEC
- Supports oneshot / Multishot / Dshot PWM
- Supports damped light
- Ext. cap needed for 6s (1000uf 35v for 6s usage.)
- Mounting holes M3, 20x20mm
- Size:30 x 38 mm
- Weight: 7.6g

PIN MAP:



Package included:

- Tekko32 F3 4in1 45A mini ESC *1
- M2 Anti-Vibration Silicone Grommet Insert *4
- Electrolytic capacitor: 1000uF 35v *1
- 8pin to 8pin 1mm pitch 65mm cable *1
- 8pin to 8pin 1mm pitch 25mm cable *1

Some Tips:

- [BLHeli_32 ESC Firmware Overview](#)
- [GitHub](#)