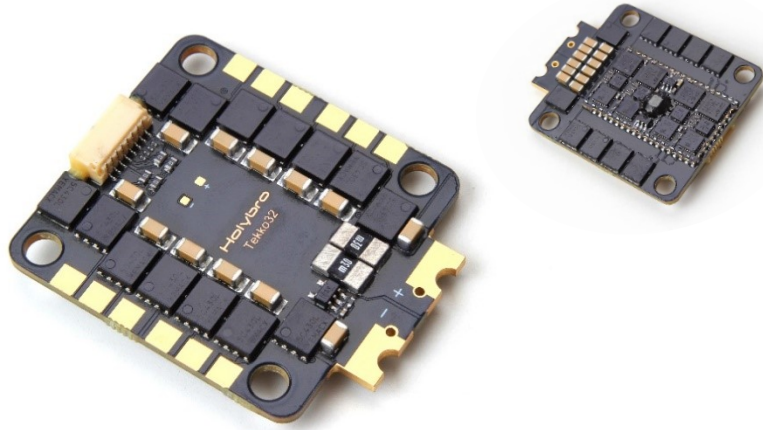


#31023

Tekko32 F3 4in1 ESC(45A)



The latest Tekko ESC has got some improvements on its performance :

- 1) Enhanced BEC, withstand voltage up to 80V.
- 2) The first blheli32 ESC in the market with default PWM output 96K giving you smoother and quieter experience.
- 3) Amperage meter scale ratio has been adjusted to 185-195.
- 4) The mounting hole has been changed into M4 with anti-vibration silicone grommet Insert.
- 5) The PCB design uses a design in which the drive circuit and the control circuit are separated. This design broadens the overcurrent capability of the drive circuit, and at the same time reduces the electrical interference to the control circuit.

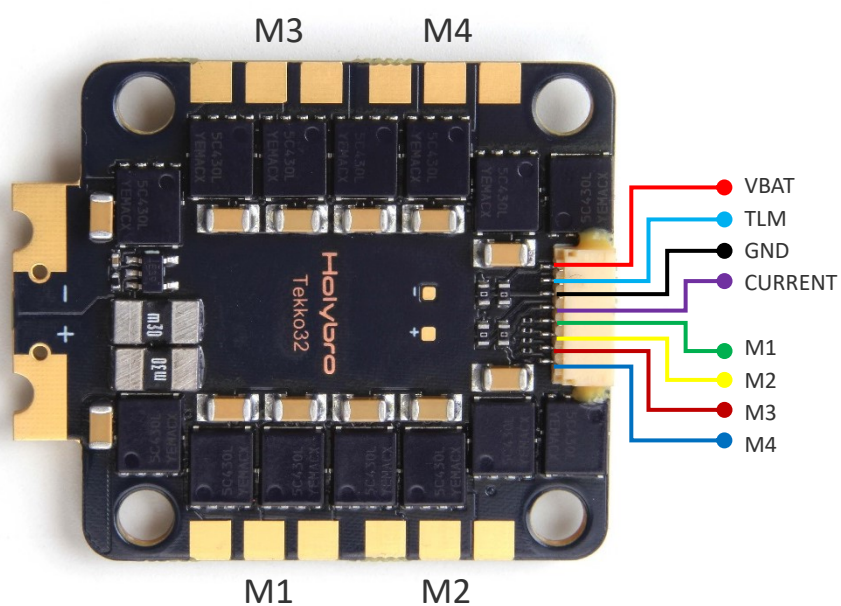
Features:

- 32bit ESC with BLHELI32 firmware
- Supports 3-6S lipo input
- PWM input, TLM supported
- Voltage output (VBAT)
- No output BEC
- Supports oneshot / Multishot / Dshot PWM
- Mounting holes 30.5x30.5mm
- Supports damped light
- F3 MCU, double the speed of F051
- Extra capacitor needed for high current or 6s usage
- Dimensions: 44x37x6mm
- Weight: 13.6g

Package includes:

- Tekko32 F3 4in1(45A) ESC *1
- M3 Anti-Vibration Silicone Grommet Insert *4
- Electrolytic capacitor: 1000uF 35v *1
- 8pin to 8pin 1mm pitch 65mm cable *1
- 8pin to 8pin 1mm pitch 25mm cable *1

Pin MAP:



Some Tips:

- [BLHeli_32 ESC Firmware Overview](#)
- [GitHub](#)