

# pixhawk<sup>®</sup> 5X

## PM02D Power Module



PM02D provides regulated power supply for your Pixhawk<sup>®</sup> 5X from the battery, as well as current consumption and battery voltage measurements, all through a 6pin cable. The on-board switching regulator outputs 5.2V and a maximum of 3A from LiPo batteries up to 8S. The Power Module comes completely assembled with XT60 connectors, wrapped in shrink tubing for physical damage protection.

This Power Module is designed to power Pixhawk<sup>®</sup> 5X and its accessories (GPS, radio, receiver). It is not designed to power servos, please use your aircraft's ESC/BEC for that. The Molex 2.00mm pitch CLIK-Mate Wire-to-Board connector is rated for 3.0A current per contact.

### **Spec:**

- Max input voltage: 36V
- Rated current: 60A
- Max current: 120A (<60S)  
Max current sensing: 164A
- Supports up to 8S battery
- Voltage and current monitor with I2C compatible interface
- Switching regulator outputs 5.2V and 3A max
- Weight: 20g

### **Package Includes:**

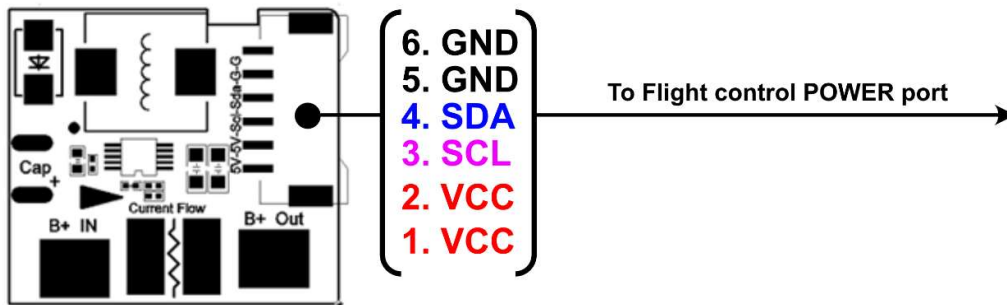
- PM02D Power Module
- 6pin 2.00mm pitch cable

### Current Rating:

The PM02D comes with XT60 plugs with 14 AWG silicone wires rated for 30A continuous current and 60A burst current (<1 minute). If a higher current is needed, the plug type and wire size should be changed accordingly. The specifications and models are as follows:

Plug Specification	Wire Size	Rated current: (4 hours, temperature rise <60 Deg C)	Burst Current: (1 minute, temperature rise <60 Deg C)
XT60	12 AWG	30A	60A
XT90	10 AWG	45A	90A
XT120	8 AWG	60A	120A

### PIN MAP:



**Note:** PM02D does not require users to set the voltage divider and the current divider ratio. With the default setting parameters, the voltage and current measurement accuracy can be better than 5%.