

REVISION RECORD			
Jamming		First Release	RC01 2020/03/31
Jamming	PIN58,PIN76 use for TELEM3	RC01	2020/04/23

Note:

- 1.if DSM_IN and SBUS_IN share the same Connecetor PIN, PPM_IN use individual connector tie SPEKTRUM_DSM_IN and SBUS_INPUT nets together directly
- 2.if PPM_IN and SBUS_IN share the same Connecetor PIN, DSM_IN use individual connector tie PPM_IN and SBUS_INPUT nets together directly
- 3.RSSI_IN and SBUS_OUT nets can be tied together directly to share the same connector PIN

D

D

C

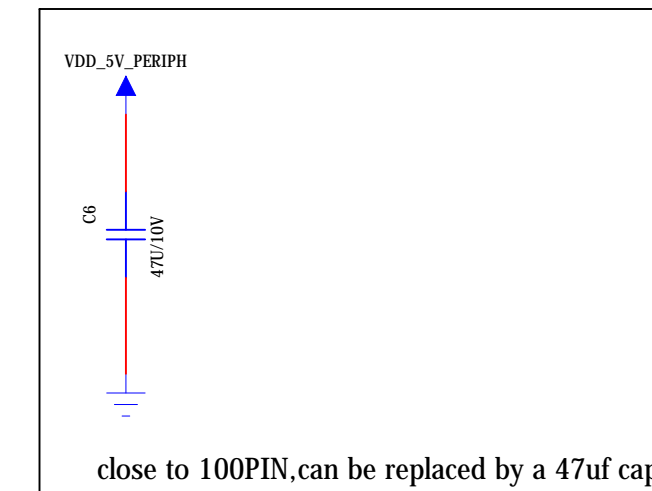
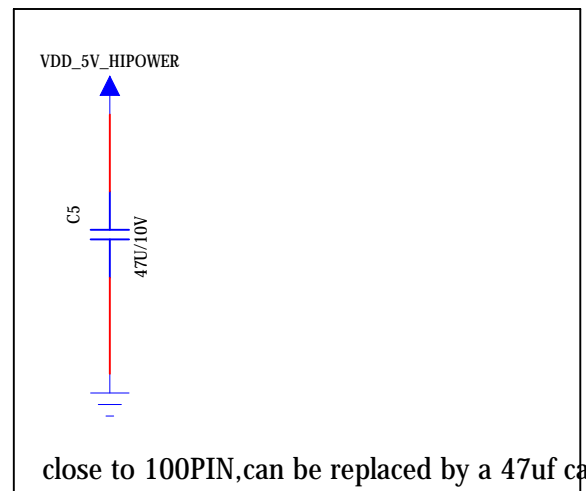
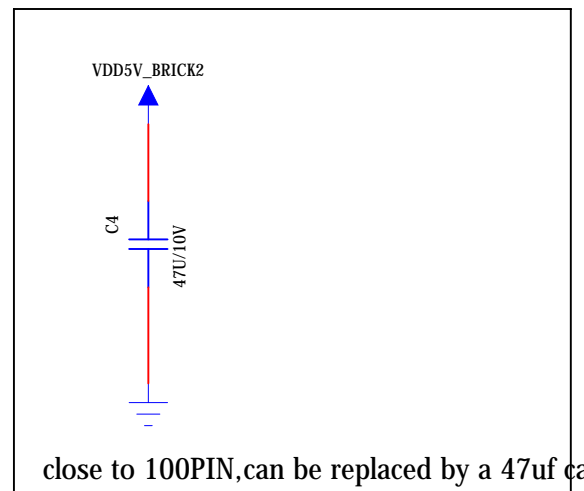
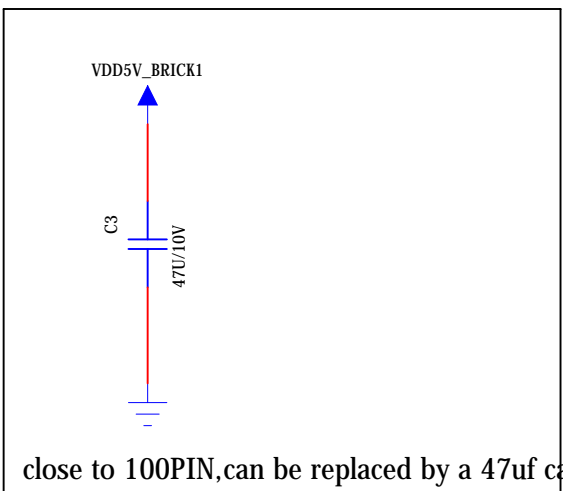
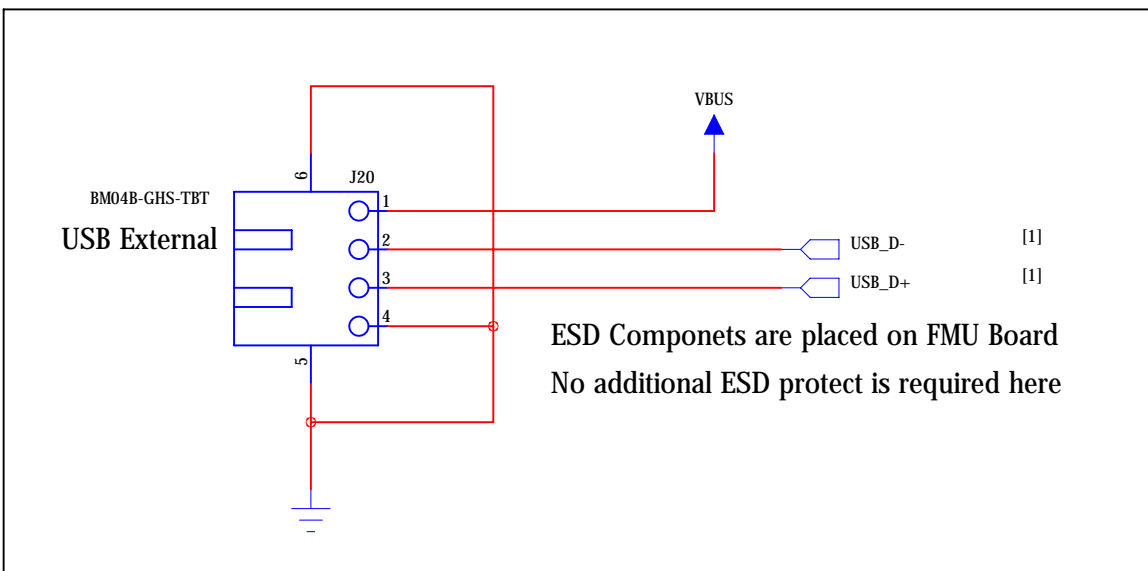
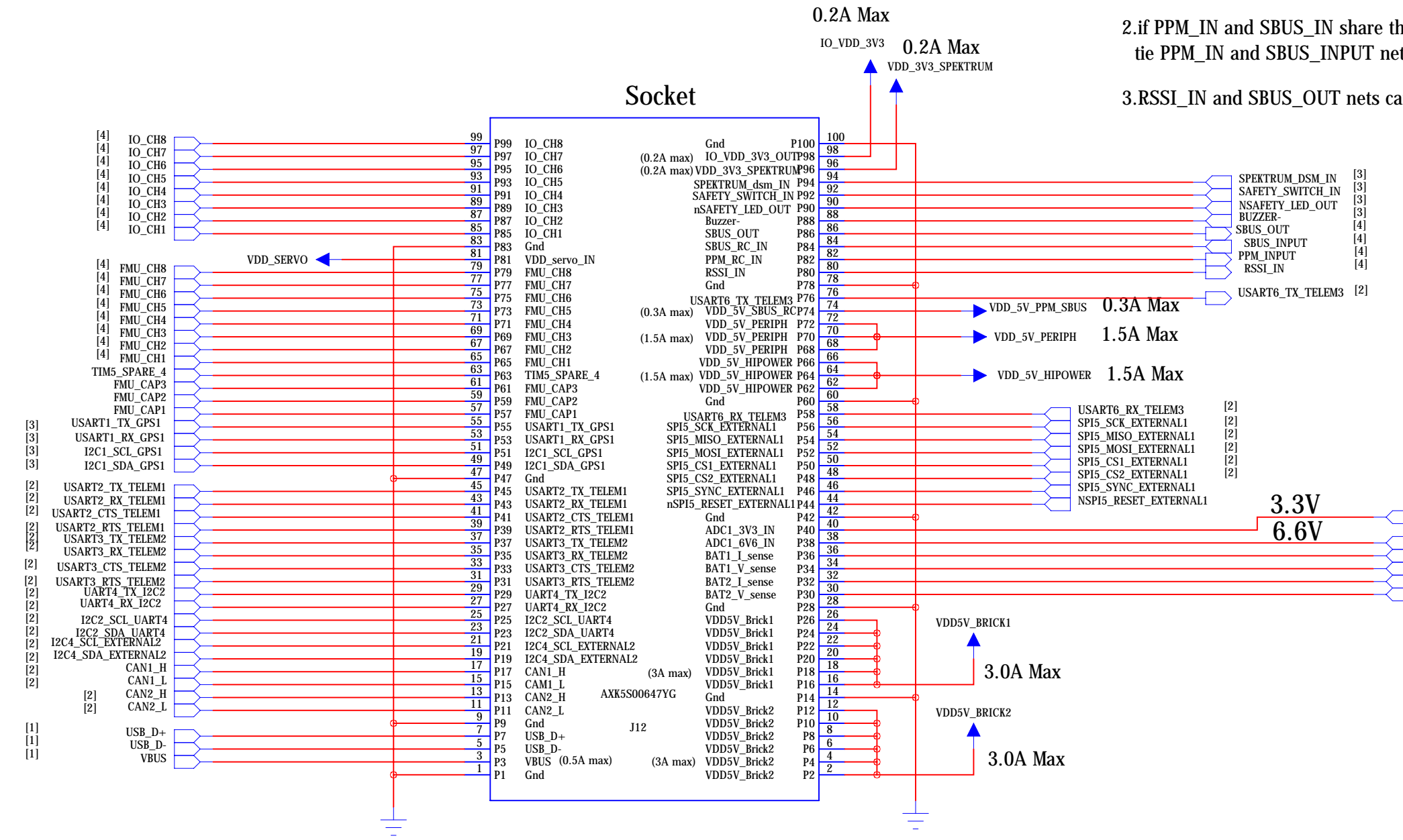
C

B

B

A

A



DRAWN: Jamming		DATED: 2020/02/25		COMPANY: Holybro		
CHECKED: Jamming		DATED: 2020/02/28		TITLE: PIX32-V5-BASE-mini		
QUALITY CONTROL: <QC By>		DATED: <QC Date>		CODE: 028	SIZE: A2	Sheet: 100Pin BreakOut
RELEASED: Jamming		DATED: 2020/04/23		REV: RC01	SCALE: 1:1	
						SHEET: 1 OF 5

6

5

4

3

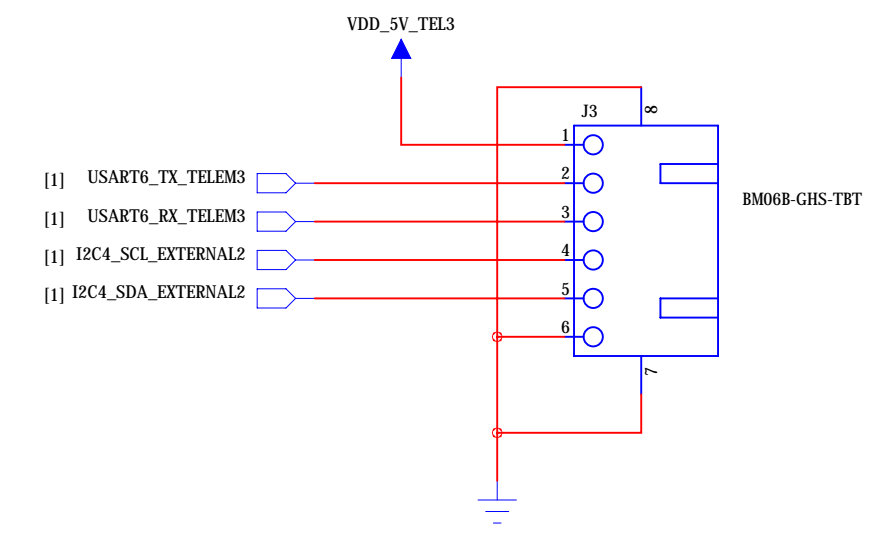
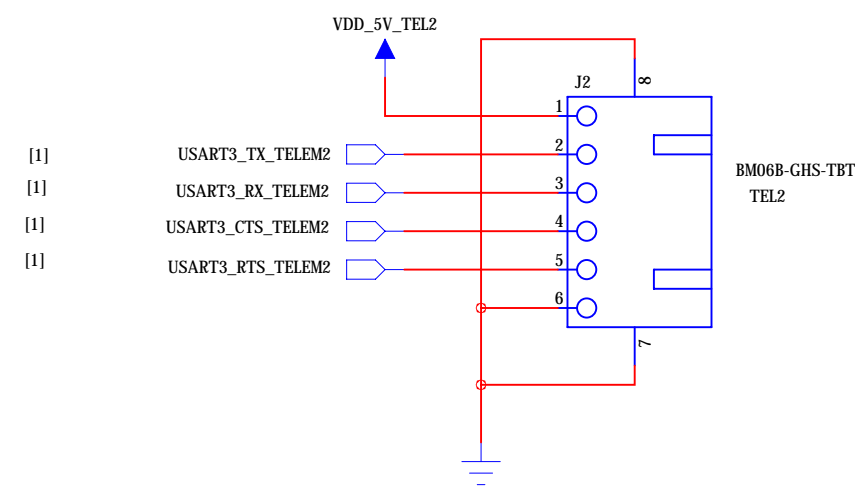
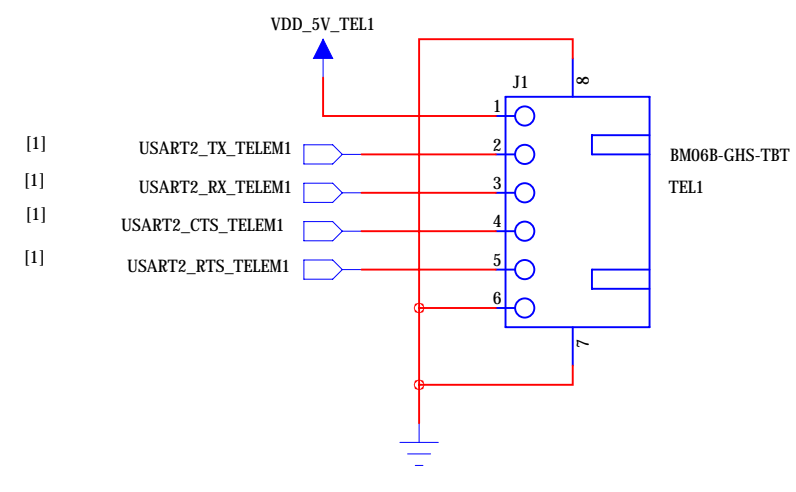
2

1

REVISION RECORD			

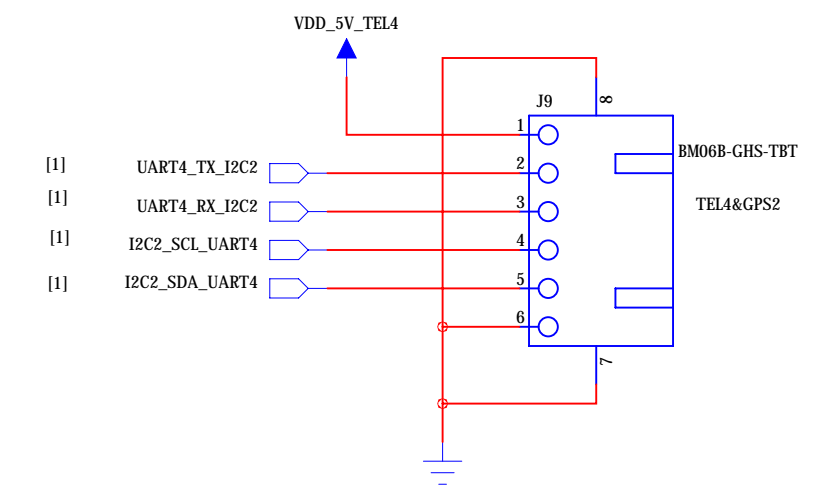
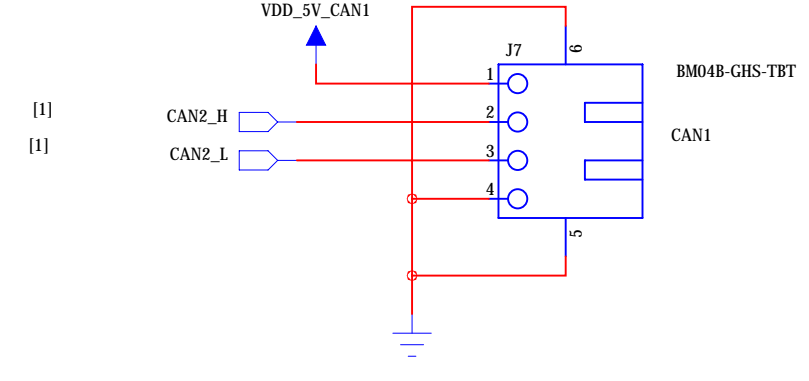
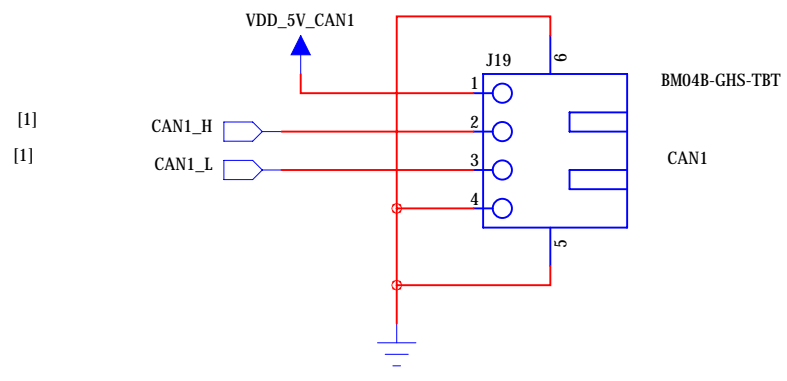
D

D



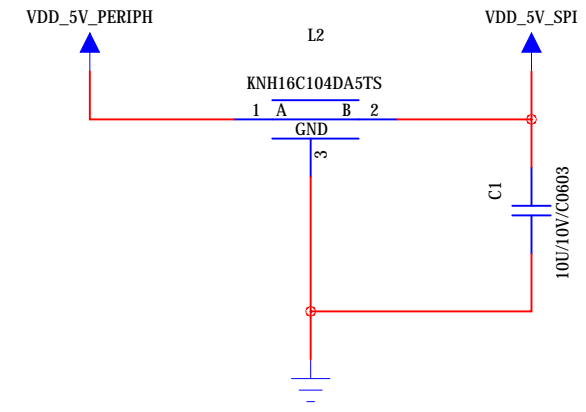
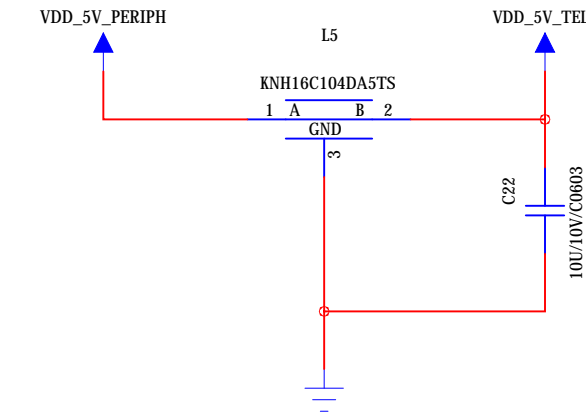
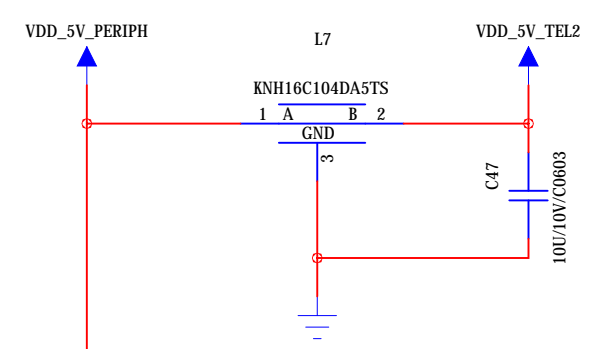
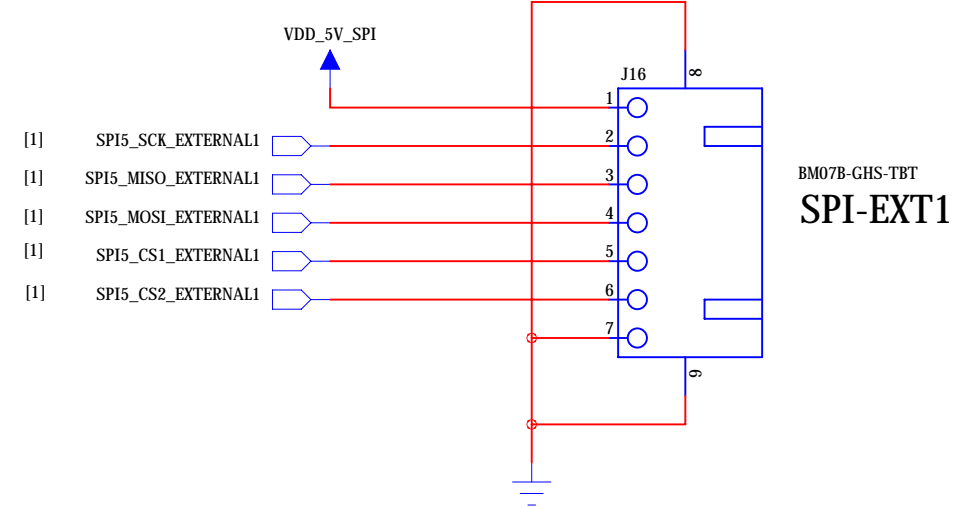
C

C



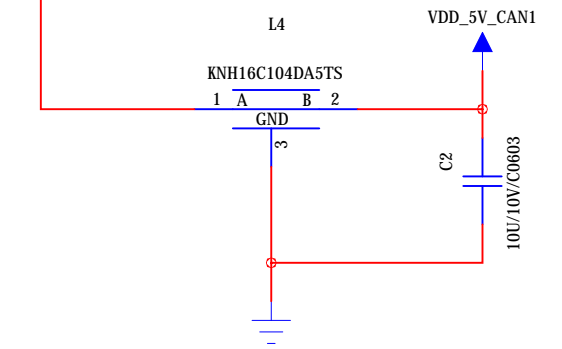
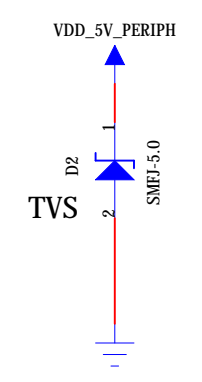
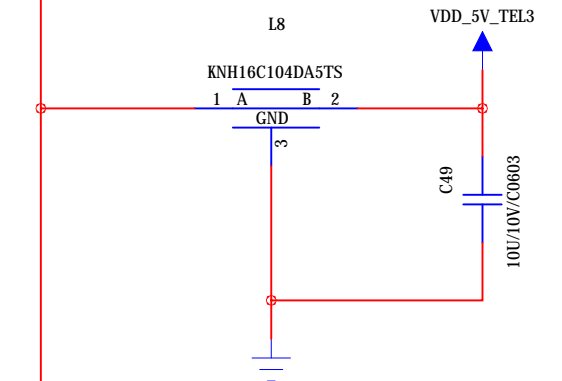
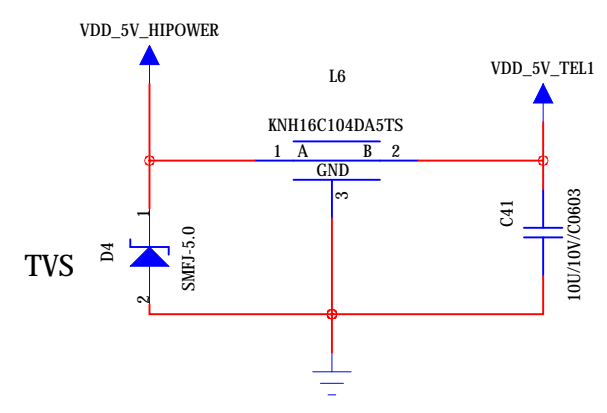
B

B



A

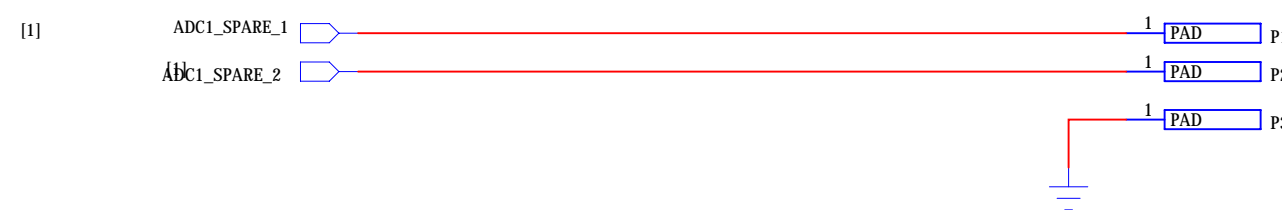
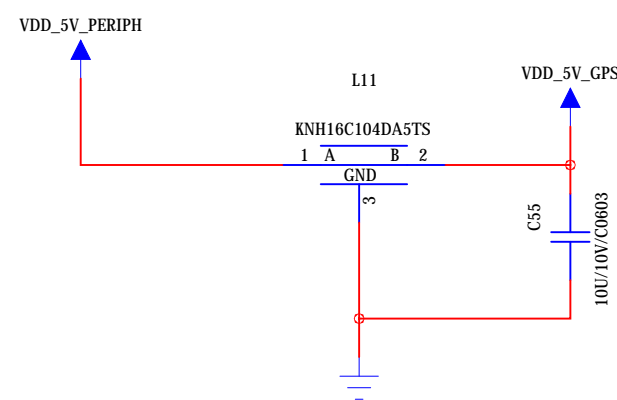
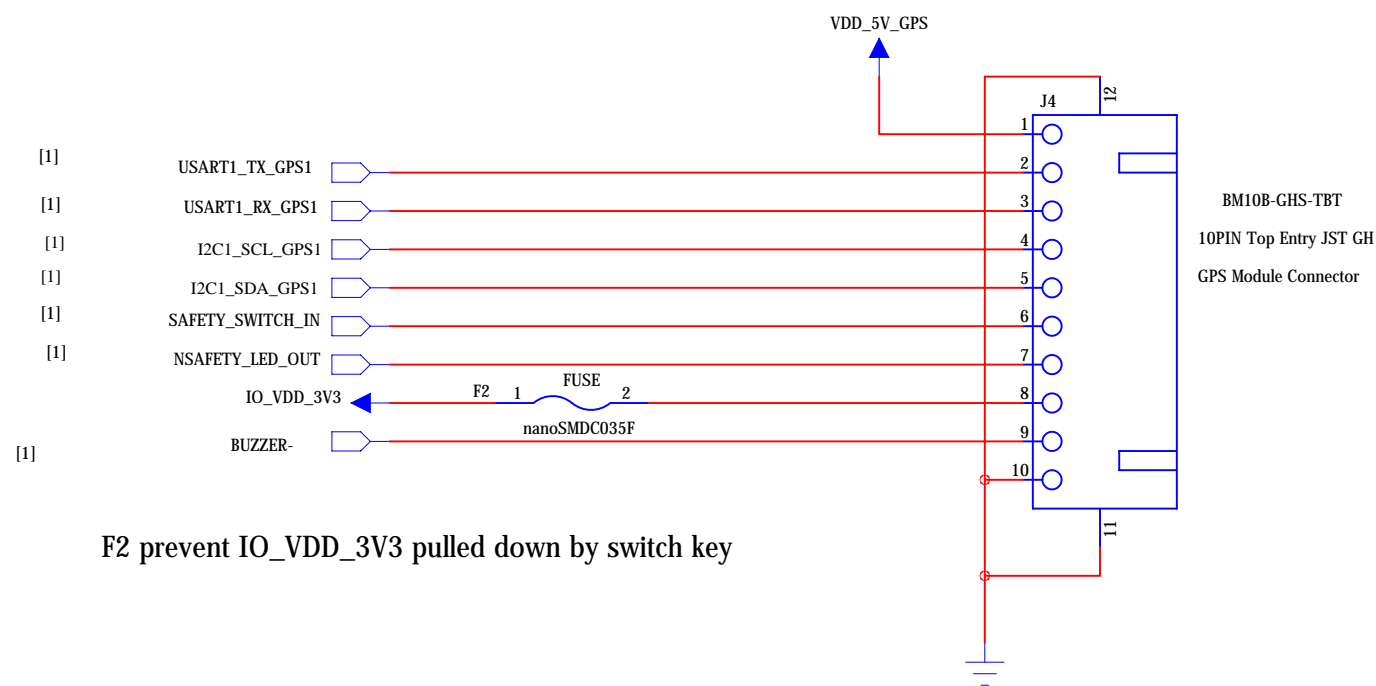
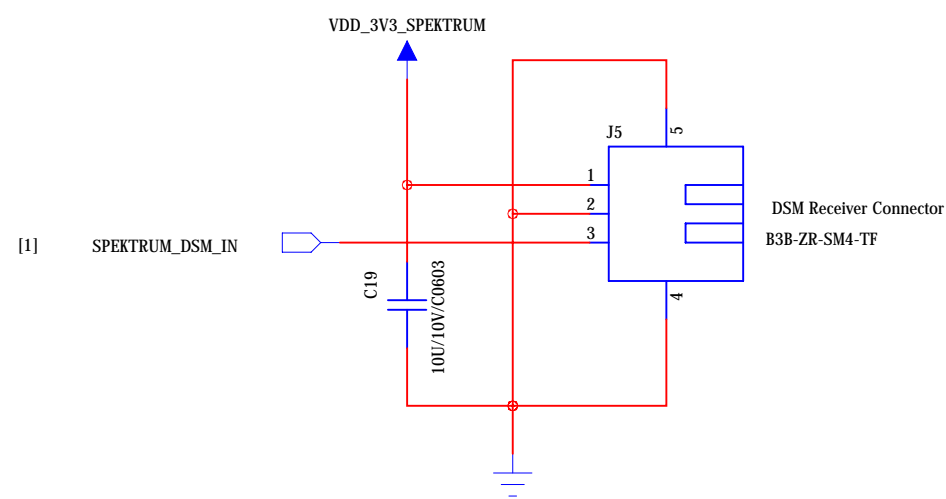
A



COMPANY: Holybro			
TITLE: PIX32-V5-BASE-mini			
CODE: 028	SIZE: A2	Sheet: UART-I2C-CAN	REV: RC01
SCALE: 1:1		SHEET: 2 OF 5	

DRAWN: Jamming	DATED: 2020/02/25
CHECKED: Jamming	DATED: 2020/02/28
QUALITY CONTROL: <QC By>	DATED: <QC Date>
RELEASED: Jamming	DATED: 2020/04/23

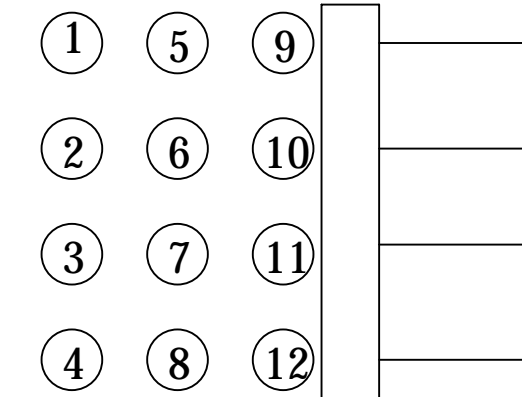
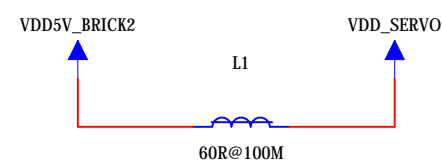
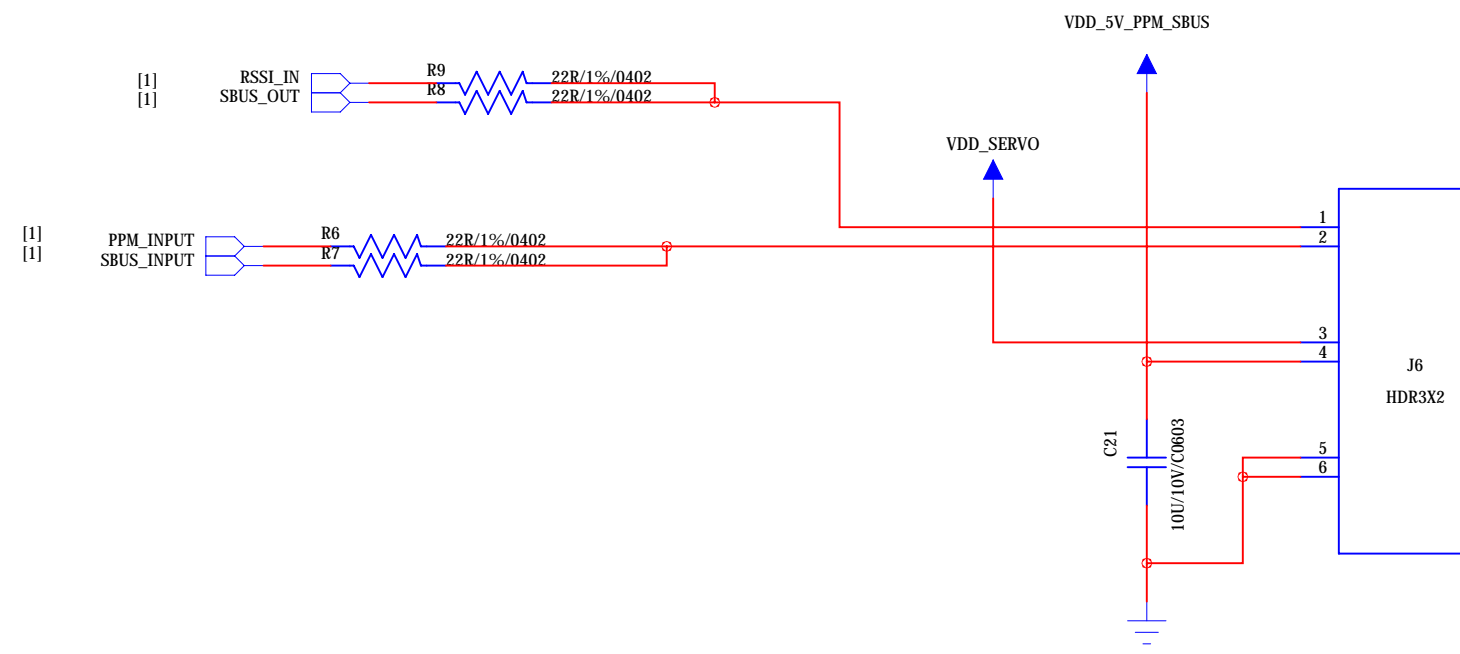
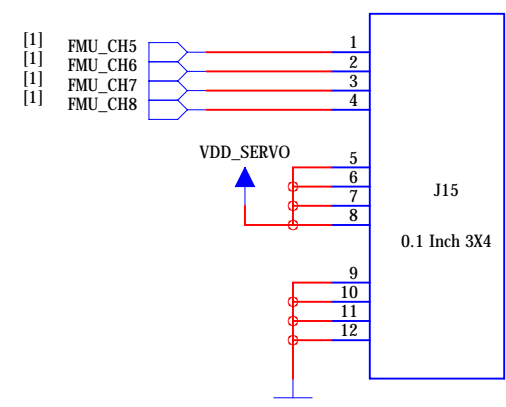
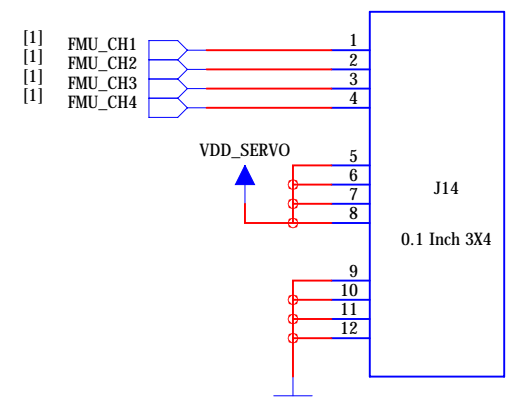
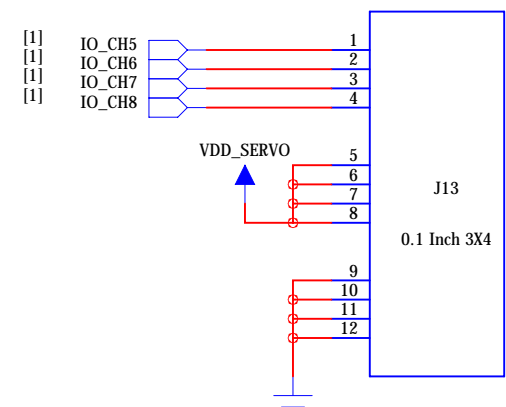
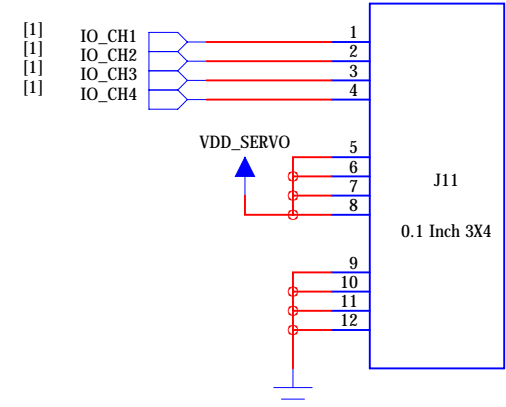
REVISION RECORD			
LTR	ECO NO:	APPROVED:	DATE:



COMPANY: Holybro			
TITLE: PIX32-V5-BASE-mini			
DRAWN: Jamming	DATED: 2020/02/25	CODE: 028	SIZE: A2
CHECKED: Jamming	DATED: 2020/02/28	Sheet: GPS-SPI-RC	REV: RC01
QUALITY CONTROL: <QC By>	DATED: <QC Date>	SCALE: 1:1	
RELEASED: Jamming	DATED: 2020/04/23	SHEET: 3 OF 5	

REVISION RECORD			
LTR	ECO NO:	APPROVED:	DATE:

ESD Componets are placed on FMU Board
No additional ESD protect is required here



COMPANY: Holybro			
TITLE: PIX32-V5-BASE-mini			
DRAWN: Jamming	DATED: 2020/02/25	CODE: 028	SIZE: A2
CHECKED: Jamming	DATED: 2020/02/28	DRAWING NO: Servo Out	REV: RC01
QUALITY CONTROL: <QC By>	DATED: <QC Date>	SCALE: 1:1	
RELEASED: Jamming	DATED: 2020/04/23	SHEET: 4 OF 5	

6

5

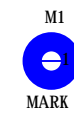
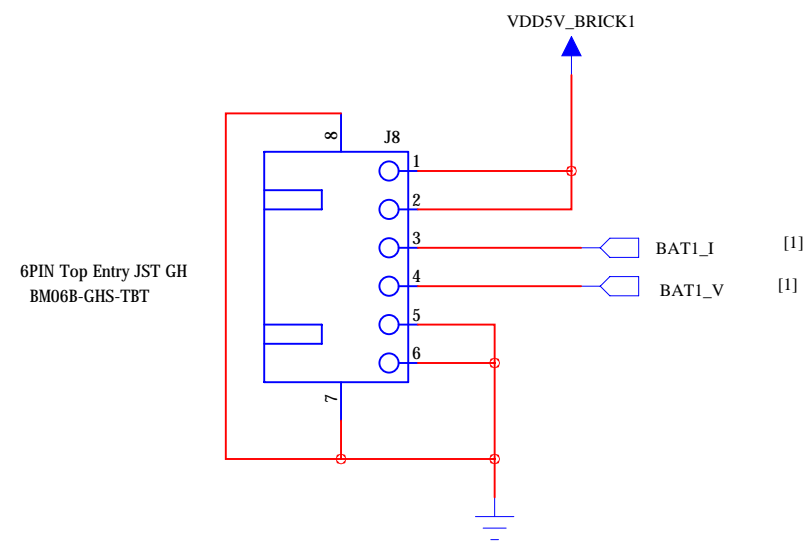
4

3

2

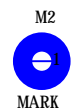
1

REVISION RECORD			



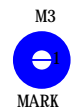
M1

MARK



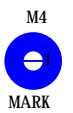
M2

MARK



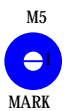
M3

MARK



M4

MARK



M5

MARK

D

D

C

C

B

B

A

A

COMPANY: Holybro

TITLE: PIX32-V5-BASE-mini

DRAWN:	Jamming	DATED:	2020/02/25
CHECKED:	Jamming	DATED:	2020/02/28
QUALITY CONTROL:	<QC By>	DATED:	<QC Date>
RELEASED:	Jamming	DATED:	2020/04/23

CODE:	SIZE:	SHEET:	REV:
028	A2	BAT-SENSE	RC01
SCALE: 1:1			SHEET: 5 OF 5