

#12027 #12028 #12029

## M9N GPS



### Descriptions:

The M9N GPS has an UBLOX M9N module, IST8310 compass, tri-colored LED indicator, and a safety switch. There are 3 different connectors options for different purposes.

This module ships with a baud rate of 115200 5Hz

### Features and Specifications:

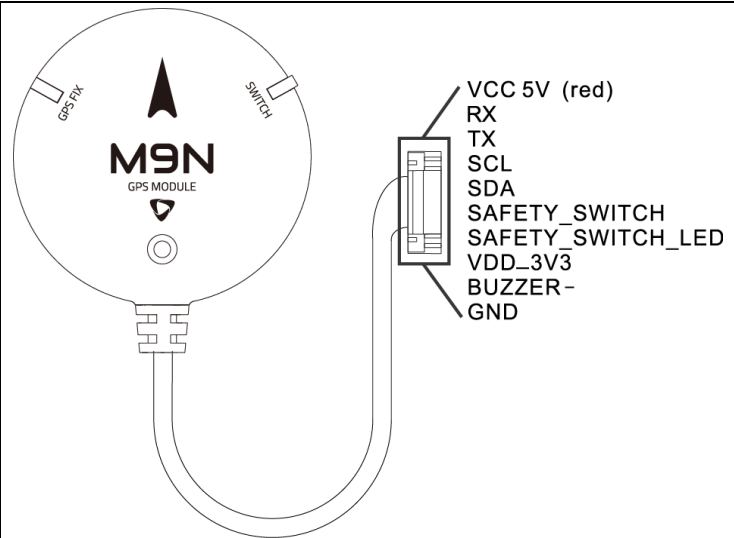
- Ublox Neo-M9N module
- Industry leading  $-167$  dBm navigation sensitivity
- Cold starts: 26s
- LNA MAX2659ELT+
- 25 x 25 x 4 mm ceramic patch antenna
- Rechargeable Farah capacitance
- Low noise 3.3V regulator
- Current consumption: less than 150mA @ 5V
- Fix indicator LEDs
- Protective case
- 26cm cable included
- Diameter 50mm total size, 32 grams with case.

## Pin Map

### SKU12027

**Holybro M9N GPS** (JST GHR1.25mm 10 pin cable):

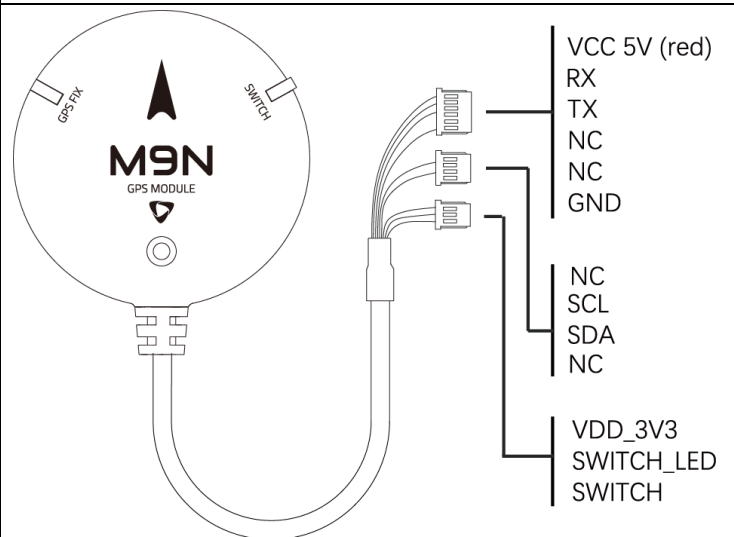
This JST GH 10Pin connector can be used on Pixhawk Series 10pin "GPS Module" or "GPS1" input port.



### SKU12028

**Holybro M9N GPS for Pix32**  
(Molex1.25mm 6pin & 4pin &3pin cable):

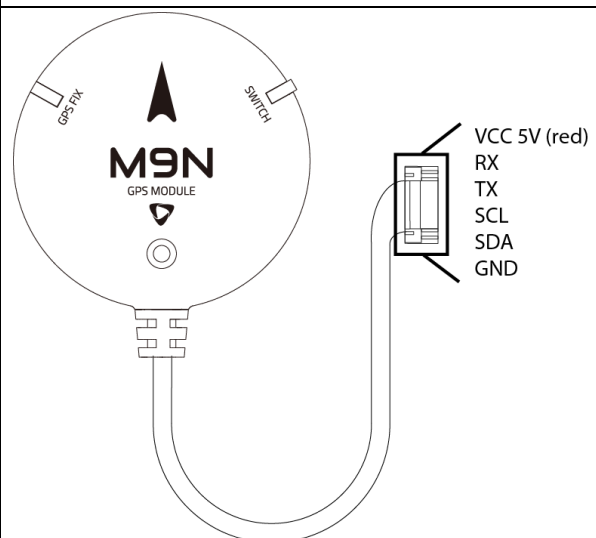
These Molex1.25mm 6pin & 4pin &3pin connectors are for Pix32 "Switch", "GPS", and "I2C" input ports.



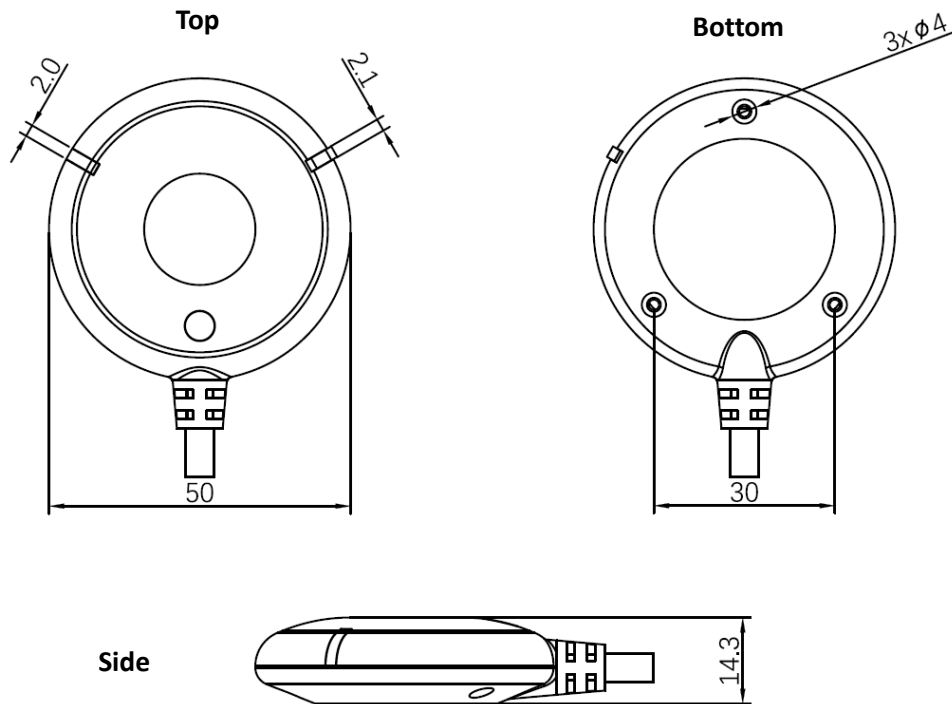
### SKU12029

**Holybro M9N 2nd GPS**(JST GHR1.25mm 6pin cable):

This JST GH 6Pin connector can be used on Pixhawk Series 6pin "UART & I2C" or "GPS2" input port as secondary GPS.



## Dimensions



DIMENSIONS IN MILLIMETERS

### Package Included:

M9N GPS Module \*1

'X' type folding pedestal mount \*1

Carbon rod 70mm & 140mm \*1

Holybro is a registered trademark of Holybro, registered in the U.S. and other countries.

©Copyright 2018 Holybro. All Rights Reserved.